



Mengqi

Est. 1998

Mengqi[®]

Cixi Zhuoyue Electric Appliance Co.,Ltd

Address: West Guanhaiwei Industrial Zone, Cixi, Zhejiang, China

Tel: +86-574-63631113 Fax: +86-574-63630311

Email: admin@cxzy-electric.com

Website: www.cixizy.com



Mengqi®

Cixi Zhuoyue Electric Appliance Co., Ltd



Company Profile »

Cixi Zhuoyue Electric Appliance Co., Ltd adhere to the market demand, make use of technological progress as the driving force, listen widely to opinions of all customers, and research ambient temperature, voltage, energy saving etc from different areas which are key factors to design and produce products. Owned products for energy saving, efficiency, safety, environment friendly, made the users' and authorities' trust and recognition, obtained CE/CB/SONCAP certification and ISO environment certification made by authorities.

“Sincerity-centered, quality first”—as a common value of enterprise culture, Zhuoyue bases on solid & integrated capability, processing strategic of better brand.

We warmly welcome all friends from worldwide to create prosperous future together.



Professional



Reliable

Mengqi®

Cixi Zhuoyue Electric Appliance Co., Ltd

Overview

Company Name:CiXi Zhouyue Electric Appliance Co.,Ltd.

Established in1998

Number of Staff:1,000 staffs

Business Module:Manufacture & Distribution

Whether offer OEM/ODM:Yes

Factory Size:50,000 Square Meters

Production:Chest Freezer/Water Dispenser/Water Purifier

Principal Market:South Asia/Middle East/Africa/South America/East Europe

Guarantee and Maintenance Services

Guaranteed Items

- 1.) Generally, we promise to offer 1-3 years guarantee without deliberate damage
- 2.) 3 years for compressor
- 3.) 1 year for quick-wear parts including handle, key, controller, wheel, condenser etc. Of chest freezer and plastic, controller, condenser, etc, Of water dispenser

Maintenance

1. Provide free quick-wear parts for every order and urgent spare parts during sales
2. Provide technology supports during maintenance
3. Have maintenance center in Dubai U.A.E

Others

Consulting service

Quick delivery

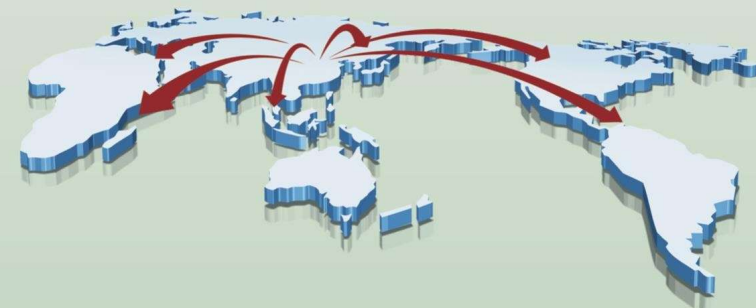
Provide marine transport consulting

Provide certification assistance

Provide new product assistance

THE CONTENTS »

Single Door Chest Freezer -----	05
Double Door Chest Freezer -----	11
Sliding Glass Door Chest Freezer-----	13
Curved Glass Door Chest Freezer-----	15
Double Chamber Chest Freezer -----	17
Vehicle & Household Refrigerator -----	19
Mini Refrigerator -----	22
Standing Water Dispenser -----	23
RO Filter System Water Dispenser-----	25
Desk Top Water Dispenser-----	37
Water Purifier Series -----	43
Accessories and Plugs -----	45



Mengqi[®]

Single Door Chest Freezer Series



Energy-saving

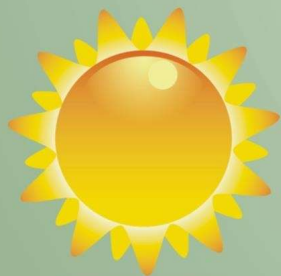


Natural fresh



Fresh frozen

DC Solar Chest Freezer



Solar Panel

Solar controller



battery system



12/24V DC Refrigerator

AC 220-240V



AC/DC Adapter

- AC & DC high quality compressor are available for fast freezing by R134a refrigerant;
- DC Freezer is mainly powered by Solar Cell Panel;
- DC compressor is compatible with AC power supply by AC power adaptor;
- AC 220/240V input convert to DC 12/24V output.



Single Door Chest Freezer Series

Single Door Chest Freezer Series



BD-60 BD-60DC

▼ Main Feature:

Climate Class: SN/N/ST/T
 Temperature Range: -18°C-10°C
 Fast Cooling with Effective Compressor
 Mechanical Temperature Control
 Foaming Door in C5H10 Material
 Universal wheels for easy movement
 Safety with key and lock

▼ Specification:

Model	BD-60	BD-60DC	BD-100	BD-100DC
Capacity	60L	60L	100L	100L
Power Supply	220-240V 50/60Hz	DC12V/24V	220-240V 50/60Hz	DC12V/24V
Power Input	70W	45W	100W	70W
Power Consumption	0.67 kW.h/24h	0.49kW.h/24h	0.89 kW.h/24h	0.7kW.h/24h
Unit Size	525*567*597mm	525*567*597mm	525*567*833mm	525*567*833mm
Packing Size	560*570*640mm	560*570*640mm	560*570*876mm	560*570*876mm
N.w/G.w	21/23kgs	21/23kgs	27/30kgs	27/30kgs
Qty/40HQ	336pcs	336pcs	252pcs	252pcs



BD-100 BD-100DC

▼ Optional Feature:

Condenser Internal/External(Optional)
 Inner LED lamp (Optional)
 Compressor fan (optional)
 Inner glass door (optional)
 Inner Partition shelf (optional)
 Inner basket (optional)
 Appearance Colour (optional)



BD-110 BD-110DC

▼ Main Feature:

Climate Class: SN/N/ST/T
 Temperature Range: -18°C-10°C
 Fast Cooling with Effective Compressor
 Mechanical Temperature Control
 Foaming Door in C5H10 Material
 Universal wheels for easy movement
 Safety with key and lock

▼ Specification:

Model	BD-110	BD-110DC	BD-115	BD-115DC
Capacity	110L	110L	115L	115L
Power Supply	220-240V 50/60Hz	DC12V/24V	220-240V 50/60Hz	DC12V/24V
Power Input	102W	70W	110W	70W
Power Consumption	0.95kW.h/24h	0.75 kW.h/24h	1.09 kW.h/24h	0.75kW.h/24h
Unit Size	760*530*700mm	760*530*700mm	632*575*835mm	632*575*835mm
Packing Size	794*570*740mm	794*570*740mm	663*580*876mm	663*580*876mm
N.w/G.w	28/30kgs	28/30kgs	31/34kgs	31/34kgs
Qty/40HQ	180pcs	180pcs	216pcs	216pcs



BD-115 BD-115DC

▼ Optional Feature:

Condenser Internal/External(Optional)
 Inner LED lamp (Optional)
 Compressor fan (optional)
 Inner glass door (optional)
 Inner Partition shelf (optional)
 Inner basket (optional)
 Appearance Colour (optional)

Single Door Chest Freezer Series



BD-108 BD-108DC

▼ Main Feature:

Climate Class: SN/N/ST/T
 Temperature Range: -18°C-10°C
 Fast Cooling with Effective Compressor
 Mechanical Temperature Control
 Foaming Door in C5H10 Material
 Universal wheels for easy movement
 Safety with key and lock



BD-158 BD-158DC

▼ Optional Feature:

Condenser Internal/External(Optional)
 Inner LED lamp (Optional)
 Compressor fan (optional)
 Inner glass door (optional)
 Inner Partition shelf (optional)
 Inner basket (optional)
 Appearance Colour (optional)

Single Door Chest Freezer Series



BD-208 BD-208DC

▼ Optional Feature:

Condenser Internal/External(Optional)
 Inner LED lamp (Optional)
 Compressor fan (optional)
 Inner glass door (optional)
 Inner Partition shelf (optional)
 Inner basket (optional)
 Appearance Colour (optional)



BD-258 BD-258DC

▼ Main Feature:

Climate Class: SN/N/ST/T
 Temperature Range: -18°C-10°C
 Fast Cooling with Effective Compressor
 Mechanical Temperature Control
 Foaming Door in C5H10 Material
 Universal wheels for easy movement
 Safety with key and lock

▼ Specification:

Model	BD-108	BD-108DC	BD-158	BD-158DC
Capacity	108L	108L	158L	158L
Power Supply	220-240V 50/60Hz	DC12V/24V	220-240V 50/60Hz	DC12V/24V
Power Input	102W	70W	110W	100W
Power Consumption	0.95kWh/24h	0.75 kWh/24h	1.09kWh/24h	0.98 kWh/24h
Unit Size	585*555*833mm	585*555*833mm	760*555*833mm	760*555*833mm
Packing Size	620*570*876mm	620*570*876mm	794*570*876mm	794*570*876mm
N.w/G.w	28.5/30kgs	28.5/30kgs	31/34kgs	31/34kgs
Qty/40'HQ	228pcs	228pcs	180pcs	180pcs

▼ Specification:

Model	BD-208	BD-208DC	BD-258	BD-258DC
Capacity	208L	208L	258L	258L
Power Supply	220-240V 50/60Hz	DC12V/24V	220-240V 50/60Hz	DC12V/24V
Power Input	130W	100W	150W	120W
Power Consumption	1.19 kWh/24h	1.02kWh/24h	1.38 kWh/24h	1.1kWh/24h
Unit Size	874*580*833mm	874*580*833mm	1034*614*833mm	1034*614*833mm
Packing Size	905*580*876mm	905*580*876mm	1065*635*876mm	1065*635*876mm
N.w/G.w	38/41kgs	38/41kgs	42/44kgs	42/44kgs
Qty/40'HQ	156pcs	156pcs	120pcs	120pcs

Single Door Chest Freezer Series



BD-308 BD-308DC

▼ Main Feature:

Climate Class: SN/N/ST/T
 Temperature Range: -18°C-10°C
 Fast Cooling with Effective Compressor
 Mechanical Temperature Control
 Foaming Door in C5H10 Material
 Universal wheels for easy movement
 Safety with key and lock

▼ Optional Feature:

Condenser Internal/External(Optional)
 Inner LED lamp (Optional)
 Compressor fan (optional)
 Inner glass door (optional)
 Inner Partition shelf (optional)
 Inner basket (optional)
 Appearance Colour (optional)

▼ Specification:

Model	BD-308	BD-308DC	BD-358	BD-358DC
Capacity	308L	308L	358L	358L
Power Supply	220-240V 50/60Hz	DC12V/24V	220-240V 50/60Hz	DC12V/24V
Power Input	160W	120W	170W	120W
Power Consumption	1.49kWh/24h	1.2 kWh/24h	1.69kWh/24h	1.25 kWh/24h
Unit Size	1144*614*833mm	1144*614*833mm	1270*680*833mm	1270*680*833mm
Packing Size	1175*635*876mm	1175*635*876mm	1302*702*876mm	1302*702*876mm
N.w/G.w	46/49kgs	46/49kgs	50/52kgs	50/52kgs
Qty/40'HQ	90pcs	90pcs	81pcs	81pcs

Double Door Chest Freezer Series



▲ one door or two door for option

BD-450

▼ Optional Feature:

Condenser Internal/External(Optional)
 Inner LED lamp (Optional)
 Compressor fan (optional)
 Inner glass door (optional)
 Inner Partition shelf (optional)
 Inner basket (optional)
 Appearance Colour (optional)

▼ Specification:

Model	BD-450	BD-550
Capacity	450L	550L
Power Supply	220-240V 50/60Hz	220-240V 50/60Hz
Power Input	200W	210W
Power Consumption	1.92 kWh/24h	2.01 kWh/24h
Unit Size	1405*746*859mm	1630*746*859mm
Packing Size	1460*752*886mm	1680*752*886mm
N.w/G.w	60/70kgs	65/75kgs
Qty/40'HQ	72pcs	63pcs

Mengqi[®]

Sliding glass door Chest Freezer Series



Fast frozen Smart fresh Antibacterial tank Energy saving Overquiet operation



Sliding glass door Chest Freezer Series



CD-260



CD-310

Optional Feature:

- Condenser Internal/External(Optional)
- Inner LED lamp (Optional)
- Compressor fan (optional)
- Inner glass door (optional)
- Inner Partition shelf (optional)
- Inner basket (optional)
- Appearance Colour (optional)

Main Feature:

- Climate Class: SN/N/ST/T
- Temperature Range: -18°C -10°C
- Fast Cooling with Effective Compressor
- Mechanical Temperature Control
- Foaming Door in C5H10 Material
- Universal wheels for easy movement
- Safety with key and lock

Specification:

Model	CD-260	CD-310
Capacity	260L	310L
Power Supply	220-240V 50/60Hz	220-240V 50/60Hz
Power Input	160W	170W
Power Consumption	2.41 kW.h/24h	2.52 kW.h/24h
Unit Size	1034*554*804mm	1144*554*804mm
Packing Size	1065*623*856mm	1175*623*856mm
N.w/G.w	45/47kgs	49/52kgs
Qty/40HQ	123pcs	90pcs

Curved glass door Chest Freezer Series



SC/SD-308

▼ Main Feature:

Climate Class: SN/N/ST/T
 Temperature Range: -18°C-10°C
 Fast Cooling with Effective Compressor
 Mechanical Temperature Control
 Foaming Door in C5H10 Material
 Universal wheels for easy movement
 Safety with key and lock



SC/SD-368

▼ Optional Feature:

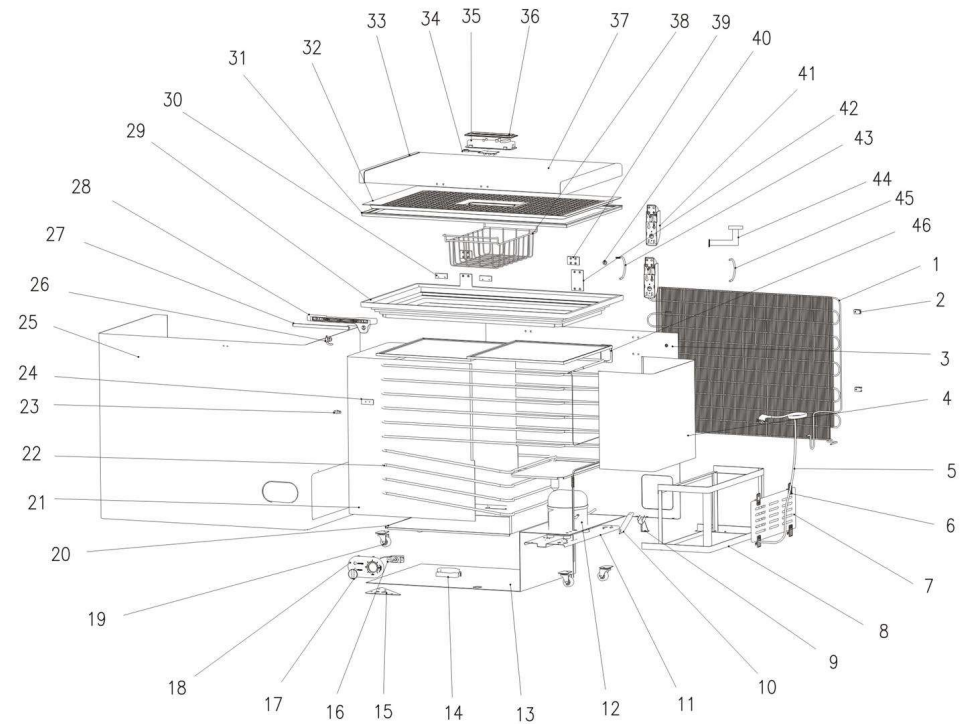
Condenser Internal/External(Optional)
 Inner LED lamp (Optional)
 Compressor fan (optional)
 Inner glass door (optional)
 Inner Partition shelf (optional)
 Inner basket (optional)
 Appearance Colour (optional)

▼ Specification:

	SC/SD-308	SC/SD-368
Model	SC/SD-308	SC/SD-368
Capacity	308L	368L
Power Supply	220-240V 50/60Hz	220-240V 50/60Hz
Power Input	200W	200W
Power Consumption	2.61 kWh/24h	2.96 kWh/24h
Unit Size	1094*598*837mm	1294*598*837mm
Packing Size	1132*654*887mm	1332*654*887mm
N.w/G.w	44/51kgs	49/56kgs
Qty/40HQ	108pcs	81pcs

Chest Freezer Profile

CE CB RoHS SASO SONCAP



- | | | |
|-------------------------|---------------------------------|-----------------------------------|
| 1, condenser | 17, thermostat knob | 33, door frame |
| 2, condenser fixed card | 18, thermostat installation box | 34, LED lamp board |
| 3, back plate | 19, universal wheel | 35, lamp box base |
| 4, right aluminum liner | 20, aluminum liner bottom | 36, transparent cover of lamp box |
| 5, plug cord | 21, left aluminum liner | 37, door shell |
| 6, shutter fixed card | 22, evaporator | 38, basket |
| 7, shutter | 23, lock | 39, door hinge gasket |
| 8, compressor support | 24, lock gasket | 40, lamp line card |
| 9, filter fixed card | 25, front plate | 41, hinge |
| 10, dry filter | 26, cylinder | 42, body hinge gasket |
| 11, compressor bottom | 27, handle cover | 43, top lamp cable |
| 12, compressor | 28, handle | 44, drainage pipe |
| 13, foam bottom | 29, body frame | 45, down lamp cable |
| 14, junction box | 30, handle gasket | 46, inside lamp box |
| 15, triangle plate | 31, door seal | |
| 16, thermostat | 32, door liner | |

Mengqi[®]

Double Chamber Fresh and Freeze



Fast frozen Smart fresh Antibacterial tank Energy saving tank Overquiet operation



BCD-232 BCD-232DC

Double Chamber Chest Freezer Series



BCD-138 BCD-138DC



BCD-172 BCD-172DC

● **Main Feature:**

Climate Class: SN/N/ST/T
 Temperature Range: -18℃-10℃
 Fast Cooling with Effective Compressor
 Mechanical Temperature Control
 Foaming Door in C5H10 Material
 Universal wheels for easy movement
 Safety with key and lock

● **Optional Feature:**

Condenser Internal/External(Optional)
 Compressor fan (optional)
 Inner glass door (optional)
 Inner Partition shelf (optional)
 Inner basket (optional)
 Appearance Colour (optional)

● **Specification:**

Model	BCD-138	BCD-138DC	BCD-172	BCD-172DC	BCD-232	BCD-232DC
Capacity	138L	138L	172L	172L	232L	232L
Power Supply	220-240V 50/60Hz	DC12V/24V	220-240V 50/60Hz	DC12V/24V	220-240V 50/60Hz	DC12V/24V
Power Input	80W	70W	110W	100W	200W	100W
Power Consumption	0.72kWh/24h	0.57kWh/24h	0.89 kWh/24h	0.89 kWh/24h	1.19 kWh/24h	0.89kWh/24h
Unit Size	995*555*660mm	995*555*660mm	995*555*810mm	995*555*810mm	1094*590*850mm	1094*590*850mm
Packing Size	1030*580*710mm	1030*580*710mm	1030*580*860mm	1030*580*860mm	1130*615*890mm	1130*615*890mm
N.w/G.w	35/38kgs	35/38kgs	43/47kgs	43/47kgs	52/57kgs	52/57kgs
Qty/40HQ	138pcs	138pcs	138pcs	138pcs	102pcs	102pcs

Vehicle & Household Refrigerator



- Beautiful and Professional Industrial Design;
- Effective compressor for fast cooling to 0°C within 30 minutes, deep freezing to -25°C;
- High quality compressor with self-protection function against the bad situation (drastic shaking);
- Thick wall with advanced foaming technology for better insulation effect;
- Intelligent controller with low-voltage automatic detection and automatic shut-off.

Vehicle & Household Refrigerator



Beautiful Painting



Safety Lock



Temperature control



Ergonomic Handle

Colour Option :



Red



Black White



Black

Specification:

Model	Capacity	Power Supply	Power Input	Power Consumption
BD-25DC	25L	DC 12V/24V	40W	0.43 kW.h/24h
BD-30DC	30L	DC 12V/24V	40W	0.48 kW.h/24h
BD-40DC	40L	DC 12V/24V	50W	0.6 kW.h/24h
BD-50DC	50L	DC 12V/24V	60W	0.65 kW.h/24h
Model	Unit Size	Packing Size	N.w/G.w	Qty/40HQ
BD-25DC	580*370*330mm	660*430*385mm	14/16kgs	540pcs
BD-30DC	580*370*365mm	660*430*420mm	15/17kgs	540pcs
BD-40DC	580*370*435mm	660*430*490mm	17/19kgs	450pcs
BD-50DC	580*370*495mm	660*430*560mm	19/21kgs	360pcs

Vehicle & Household Refrigerator



Glass cover with a design pattern



Digital temperature control



Safety catch

Mini Refrigerator



40L Reasonable space



Food



Fruit



Beverage



Cosmetic



Ergonomic Handle



Safety Lock

Colour Option :



Misty-Black



Silver White

Specification:

Model	Capacity	Power Supply	Power Input	Power Consumption
BD-25DC	25L	DC 12V/24V	40W	0.43 kWh/24h
BD-30DC	30L	DC 12V/24V	40W	0.48 kWh/24h
BD-40DC	40L	DC 12V/24V	50W	0.6 kWh/24h
BD-50DC	50L	DC 12V/24V	60W	0.65 kWh/24h
Model	Unit Size	Packing Size	N.w/G.w	Qty/40'HQ
BD-25DC	580*370*330mm	660*430*385mm	14/16kgs	540pcs
BD-30DC	580*370*365mm	660*430*420mm	15/17kgs	540pcs
BD-40DC	580*370*435mm	660*430*490mm	17/19kgs	450pcs
BD-50DC	580*370*495mm	660*430*560mm	19/21kgs	360pcs

Colour Option :



Blossom Red



Misty-Black



Champagne

Specification:

Model	Capacity	Power Supply	Power Input	Power Consumption
BC-40	40L	220-240V/110-127V 50/60Hz	65W	0.45 kWh/24h
Model	Unit Size	Packing Size	N.w/G.w	Qty/40'HQ
BC-40	370*435*600mm	410*480*625mm	14/16kgs	564pcs

Mengqi[®]

Water Dispenser

A Professional Manufacturer

- 220-240V/ 50/60Hz; 110-127V/ 60Hz;
- Beautiful and Professional Industrial Design;
- Fast cooling with effective compressor by R134a;
- Stainless steel water tank and Silicon water pipe for Healthily and Environmentally;
- Pure copper pipe of evaporator for heat exchange;
- Anti-dry Burning Protection for safe operation.



RO Filter System Water Dispenser

The creator of healthy and pure drinking water, direct to live water source and make life easier.

Five Stages RO Filter System



PP Filter(PP Sediment Filter):
Remove the sand,dirt and rust particles in water;



UDF/GAC(Granular Carbon Filter):
Absorb the chlorine,organic chemicals, odor;



CTO(Block Carbon Filter):
Completely absorb the chlorine, organic chemicals, odor, smell turbidity ,suspension;



RO Membrane:
Remove the bacteria and virus, heavy metals, salt, bad mineral substance, dissolved matter and chemical;



T33(Post Inline Carbon Filter):
Absorb the odor and adjust the taste for final pure water.



YLR-88F



YLR-88F



YLR-T88F



YLR-T88F

Water Dispenser With RO Filter System



YLR-87F



YLR-86F



YLR-T87F



YLR-T86F



Floor-Standing Series

Model Code:

YLR1-000 (Electronic cooling with storage cabinet)
 YLR2-000A (Compressor cooling with storage cabinet)
 YLR2-000B (Compressor cooling with refrigerator cabinet)

Specification:

Heating Input 500W
 Heating Capacity 5L/H;85-95°C
 Cooling Input(Compressor/Electronic) 95W/110W 75W
 Cooling Capacity(Compressor/Electronic) 2L/H;6-10°C 0.75L/H;10-15°C

Main Feature:

Storage Cabinet (Optional)
 Refrigerator Cabinet (Optional)
 Electronic Cooling (Optional)
 Compressor Cooling (Optional)
 Appearance Colour (Optional)
 Minor Protection Design



Safety Lock



YLR-87

Packing Size 350*290*1070mm
 Qty/40HQ 544pcs



Safety Lock



YLR-86

Packing Size 350*290*1070mm
 Qty/40HQ 544pcs

Floor-Standing Series

Model Code:

YLR1-000 (Electronic cooling with storage cabinet)
 YLR2-000A (Compressor cooling with storage cabinet)
 YLR2-000B (Compressor cooling with refrigerator cabinet)

Specification:

Heating Input 500W
 Heating Capacity 5L/H;85-95°C
 Cooling Input(Compressor/Electronic) 95W/110W 75W
 Cooling Capacity(Compressor/Electronic) 2L/H;6-10°C 0.75L/H;10-15°C

Main Feature:

Storage Cabinet (Optional)
 Refrigerator Cabinet (Optional)
 Electronic Cooling (Optional)
 Compressor Cooling (Optional)
 Appearance Colour (Optional)



Faucet



YLR-85

Packing Size 350*330*1020mm
 Qty/40HQ 476pcs



Faucet



YLR-84

Packing Size 350*330*1020mm
 Qty/40HQ 476pcs

Standing Water Dispenser

Model Code:

YLR1-000 (Electronic cooling with storage cabinet)
 YLR2-000A (Compressor cooling with storage cabinet)
 YLR2-000B (Compressor cooling with refrigerator cabinet)

Specification:

Heating Input 500W
 Heating Capacity 5L/H;85-95°C
 Cooling Input(Compressor/Electronic) 95W/110W 75W
 Cooling Capacity(Compressor/Electronic) 2L/H;6-10°C 0.75L/H;10-15°C

Main Feature:

Storage Cabinet (Optional)
 Refrigerator Cabinet (Optional)
 Electronic Cooling (Optional)
 Compressor Cooling (Optional)
 Appearance Colour (Optional)



Packing Size 350*330*1070mm
 Qty/40HQ 476pcs



Packing Size 350*290*1070mm
 Qty/40HQ 544pcs

Standing Water Dispenser

Model Code:

YLR1-000 (Electronic cooling with storage cabinet)
 YLR2-000A (Compressor cooling with storage cabinet)
 YLR2-000B (Compressor cooling with refrigerator cabinet)

Specification:

Heating Input 500W
 Heating Capacity 5L/H;85-95°C
 Cooling Input(Compressor/Electronic) 95W/110W 75W
 Cooling Capacity(Compressor/Electronic) 2L/H;6-10°C 0.75L/H;10-15°C

Main Feature:

Storage Cabinet (Optional)
 Refrigerator Cabinet (Optional)
 Electronic Cooling (Optional)
 Compressor Cooling (Optional)
 Appearance Colour (Optional)



Packing Size 350*330*990mm
 Qty/40HQ 476pcs



Packing Size 350*330*1020mm
 Qty/40HQ 476pcs

Standing Water Dispenser

Model Code:

YLR1-000 (Electronic cooling with storage cabinet)
 YLR2-000A (Compressor cooling with storage cabinet)
 YLR2-000B (Compressor cooling with refrigerator cabinet)

Specification:

Heating Input 500W
 Heating Capacity 5L/H;85-95°C
 Cooling Input(Compressor/Electronic) 95W/110W 75W
 Cooling Capacity(Compressor/Electronic) 2L/H;6-10°C 0.75L/H;10-15°C

Main Feature:

Storage Cabinet (Optional)
 Refrigerator Cabinet (Optional)
 Electronic Cooling (Optional)
 Compressor Cooling (Optional)
 Appearance Colour (Optional)
 Minor Protection Design



Three taps



YLR-163

Packing Size 350*330*990mm
 Qty/40HQ 476pcs



YLR-62

Packing Size 350*330*990mm
 Qty/40HQ 476pcs

Standing Water Dispenser

Model Code:

YLR1-000 (Electronic cooling with storage cabinet)
 YLR2-000A (Compressor cooling with storage cabinet)
 YLR2-000B (Compressor cooling with refrigerator cabinet)

Specification:

Heating Input 500W
 Heating Capacity 5L/H;85-95°C
 Cooling Input(Compressor/Electronic) 95W/110W 75W
 Cooling Capacity(Compressor/Electronic) 2L/H;6-10°C 0.75L/H;10-15°C

Main Feature:

Storage Cabinet (Optional)
 Refrigerator Cabinet (Optional)
 Electronic Cooling (Optional)
 Compressor Cooling (Optional)
 Appearance Colour (Optional)
 Minor Protection Design

Safety lock



Faucet



Three taps



YLR-11

Packing Size 330*330*990mm
 Qty/40HQ 490pcs



YLR-22

Packing Size 330*330*990mm
 Qty/40HQ 490pcs



YLR-123

Packing Size 350*330*990mm
 Qty/40HQ 476pcs

Standing Water Dispenser

Model Code:

YLR1-000 (Electronic cooling with storage cabinet)
 YLR2-000A (Compressor cooling with storage cabinet)
 YLR2-000B (Compressor cooling with refrigerator cabinet)

Specification:

Heating Input 500W
 Heating Capacity 5L/H;85-95°C
 Cooling Input(Compressor/Electronic) 95W/110W 75W
 Cooling Capacity(Compressor/Electronic) 2L/H;6-10°C 0.75L/H;10-15°C

Main Feature:

Storage Cabinet (Optional)
 Refrigerator Cabinet (Optional)
 Electronic Cooling (Optional)
 Compressor Cooling (Optional)
 Appearance Colour (Optional)
 Minor Protection Design



YLR-10



YLR-20



YLR-30

Packing Size 330*330*990mm
 Qty/40HQ 490pcs

Packing Size 330*330*990mm
 Qty/40HQ 490pcs

Packing Size 330*330*990mm
 Qty/40HQ 490pcs

Floor-Standing Series

Model Code:

YLR1-000 (Electronic cooling with storage cabinet)
 YLR2-000A (Compressor cooling with storage cabinet)
 YLR2-000B (Compressor cooling with refrigerator cabinet)

Specification:

Heating Input 500W
 Heating Capacity 5L/H;85-95°C
 Cooling Input(Compressor/Electronic) 95W/110W 75W
 Cooling Capacity(Compressor/Electronic) 2L/H;6-10°C 0.75L/H;10-15°C

Main Feature:

Storage Cabinet (Optional)
 Refrigerator Cabinet (Optional)
 Electronic Cooling (Optional)
 Compressor Cooling (Optional)
 Appearance Colour (Optional)
 Minor Protection Design



YLR-03



YLR-05



YLR-07

Packing Size 330*330*990mm
 Qty/40HQ 490pcs

Packing Size 330*330*990mm
 Qty/40HQ 490pcs

Packing Size 330*330*990mm
 Qty/40HQ 490pcs

Standing Water Dispenser

Model Code:

YLR1-000 (Electronic cooling with storage cabinet)
 YLR2-000A (Compressor cooling with storage cabinet)
 YLR2-000B (Compressor cooling with refrigerator cabinet)

Specification:

Heating Input 500W
 Heating Capacity 5L/H;85-95°C
 Cooling Input(Compressor/Electronic) 95W/110W 75W
 Cooling Capacity(Compressor/Electronic) 2L/H;6-10°C 0.75L/H;10-15°C

Main Feature:

Storage Cabinet (Optional)
 Refrigerator Cabinet (Optional)
 Electronic Cooling (Optional)
 Compressor Cooling (Optional)
 Appearance Colour (Optional)
 Minor Protection Design



YLR-102

Packing Size 350*330*1070mm
 Qty/40HQ 553pcs



YLR-102D

Packing Size 350*330*1070mm
 Qty/40HQ 553pcs

Standing Water Dispenser

Model Code:

YLR1-000 (Electronic cooling with storage cabinet)
 YLR2-000A (Compressor cooling with storage cabinet)
 YLR2-000B (Compressor cooling with refrigerator cabinet)

Specification:

Heating Input 500W
 Heating Capacity 5L/H;85-95°C
 Cooling Input(Compressor/Electronic) 95W/110W 75W
 Cooling Capacity(Compressor/Electronic) 2L/H;6-10°C 0.75L/H;10-15°C

Main Feature:

Storage Cabinet (Optional)
 Refrigerator Cabinet (Optional)
 Electronic Cooling (Optional)
 Compressor Cooling (Optional)
 Appearance Colour (Optional)



YLR-104

Packing Size 480*300*1138mm
 Qty/40HQ 364pcs



YLR-103

Packing Size 480*300*1138mm
 Qty/40HQ 364pcs

Mengqi[®]

Table Top
Water Dispenser Series



Energy-saving



Natural fresh



Cold and hot



Desk Top Water Dispenser Series

Model Code:

- YLR1-T000 (Electronic Cooling)
- YLR2-T000 (Compressor Cooling)

Specification:

- Heating Input 500W
- Heating Capacity 5L/H;85-95°C
- Cooling Input(Compressor/Electronic) 95W 75W
- Cooling Capacity(Compressor/Electronic) 2L/H;6-10°C 0.75L/H;10-15°C

Main Feature:

- Electronic Cooling (Optional)
- Compressor Cooling (Optional)
- Appearance Colour (Optional)



YLR-T87

Packing Size 350*290*570mm
Qty/40HQ 1152pcs



YLR-T86

Packing Size 350*290*550mm
Qty/40HQ 1152pcs



YLR-T89

Packing Size 350*290*570mm
Qty/40HQ 1152pcs



YLR-T88

Packing Size 350*330*600mm
Qty/40HQ 840pcs



YLR-T85

Packing Size 350*330*560mm
Qty/40HQ 1099pcs



YLR-T84

Packing Size 350*330*560mm
Qty/40HQ 1099pcs

Table Top Water Dispenser

Model Code:

YLR1-T000 (Electronic Cooling)
YLR2-T000 (Compressor Cooling)

Specification:

Heating Input 500W
Heating Capacity 5L/H;85-95°C
Cooling Input(Compressor/Electronic) 95W 75W
Cooling Capacity(Compressor/Electronic) 2L/H;6-10°C 0.75L/H;10-15°C

Main Feature:

Electronic Cooling (Optional)
Compressor Cooling (Optional)
Appearance Colour (Optional)



YLR-T62

Packing Size 350*330*560mm
Qty/40HQ 1099pcs



YLR-T83

Packing Size 350*330*560mm
Qty/40HQ 1099pcs



YLR-T66

Packing Size 350*330*560mm
Qty/40HQ 1099pcs



YLR-T123

Packing Size 350*330*560mm
Qty/40HQ 1099pcs

Table Top Water Dispenser

Model Code:

YLR1-T000 (Electronic Cooling)
YLR2-T000 (Compressor Cooling)

Specification:

Heating Input 500W
Heating Capacity 5L/H;85-95°C
Cooling Input(Compressor/Electronic) 95W 75W
Cooling Capacity(Compressor/Electronic) 2L/H;6-10°C 0.75L/H;10-15°C

Main Feature:

Electronic Cooling (Optional)
Compressor Cooling (Optional)
Appearance Colour (Optional)



YLR-T163

Packing Size 350*330*560mm
Qty/40HQ 1099pcs



YLR-T11

Packing Size 330*330*550mm
Qty/40HQ 1099pcs



YLR-T10

Packing Size 330*330*530mm
Qty/40HQ 1099pcs



YLR-T22

Packing Size 330*330*560mm
Qty/40HQ 1099pcs

Table Top Water Dispenser

Model Code:

YLR1-T000 (Electronic Cooling)
YLR2-T000 (Compressor Cooling)

Specification:

Heating Input 500W
Heating Capacity 5L/H;85-95°C
Cooling Input(Compressor/Electronic) 95W 75W
Cooling Capacity(Compressor/Electronic) 2L/H;6-10°C 0.75L/H;10-15°C

Main Feature:

Electronic Cooling (Optional)
Compressor Cooling (Optional)
Appearance Colour (Optional)



YLR-T20

Packing Size 330*330*560mm
Qty/40HQ 1099pcs



YLR-T30

Packing Size 330*330*560mm
Qty/40HQ 1099pcs



YLR-T66

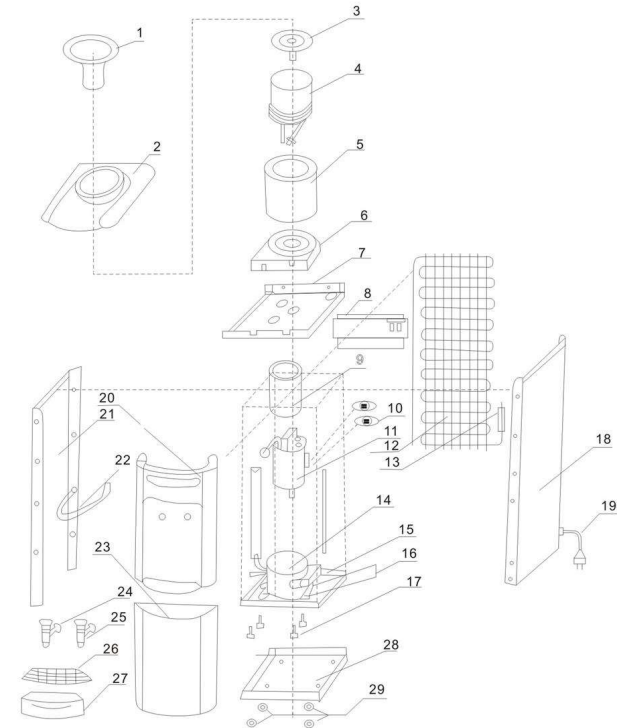
Packing Size 350*330*560mm
Qty/40HQ 1099pcs



YLR-T62

Packing Size 350*330*560mm
Qty/40HQ 1099pcs

Water Dispenser Series



- | | | |
|-----------------------|--------------------------|-------------------------|
| 1.water guard | 11.hot tank | 21.left side panel |
| 2.top cover | 12.condenser | 22.earthing wire |
| 3.plastic tray | 13.drier-filter | 23.plastic |
| 4.cold tank | 14.compressor | 24.hot tap |
| 5.cold tank foam cask | 15.middle plate | 25.cold tap |
| 6.cold tank foam base | 16.compressor base angle | 26.plastic net |
| 7.upmiddle plate | 17.base angle screw | 27.drain box |
| 8.switch plate | 18.right side panel | 28.base plate |
| 9.hot tank sponge | 19.plug cord | 29.dispenser base angle |
| 10.hot thermostat | 20.up plastic panel | |

Water Purifier Series



YR-08

Dimension:310*310*255mm
20'/40'HQ:1100pcs/2586pcs
N.W./G.W.:2.5kgs/3.0kgs



YR-100

Dimension:320*320*280mm
20'/40'HQ:2520pcs/5040pcs
N.W./G.W.:10kgs/11kgs(10pcs)



YR-12

Dimension:285*285*225mm
20'/40'HQ:1584pcs/3600pcs
N.W./G.W.:2.2kgs/2.4kgs



YR-02

Dimension:265*265*260mm
20'/40'HQ:1344pcs/3440pcs
N.W./G.W.:1.0kgs/1.5kgs



YR-05

Dimension:270*270*410mm
20'/40'HQ:800pcs/2016pcs
N.W./G.W.:1.0kgs/1.5kgs



YR-10

Dimension:270*270*410mm
20'/40'HQ:800pcs/2016pcs
N.W./G.W.:1.0kgs/1.5kgs

Water Purifier Series



YR-24

Dimension:378*278*357mm
20'/40'HQ:720pcs/1720pcs
N.W./G.W.:3.5kgs/3.8kgs



YR-25

Dimension:335*335*260mm
20'/40'HQ:880pcs/2136pcs
N.W./G.W.:3.7kgs/4.1kgs



YR-28

Dimension:375*350*270mm
20'/40'HQ:748pcs/1796pcs
N.W./G.W.:4.7kgs/5.1kgs



Accessories and plugs

Faucets Collection



T-1



T-3



T-5



T-6



T-7



T-8



T-9



T-15



T-16

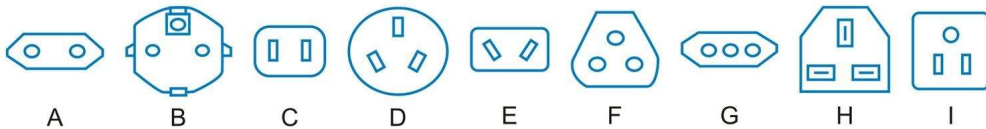


T-17

Handle Collection



Choice of Plugs Type



Mengqi[®]